

Item Number

RAM-VB-101 & RAM-VB-101-SW1

RAM No-Drill™ Seat Bases

National Products, Inc.

Vehicle base for the
CHEVROLET S-10 4x4 only (1995-2004)
CHEVROLET S-10 BLAZER (1995-2001)
GMC JIMMY (1995-2001)
GMC SONOMA (1995-2004)

SPECIFICATIONS

Placement

Passenger side floor board, in front of seat
Between seat frame and floor board

Drilling Required

None - uses existing seat bolts

Seat Configuration

Bucket/Bench

Construction/Finish

Steel/Black Powdercoat

Dimensions

A = 16", B = 6.75", C = 3.75", D = 7.75"

Hole Center = 13.13"

Pole or Pedestal

Sold Separately

Weight

10.7 lbs.

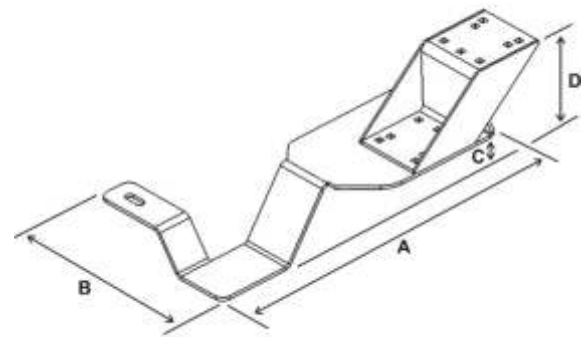
Features

One 4" riser is included with this vehicle base. Riser allows optimized placement of mount with a minimal amount of intrusion of passenger leg space.

National Products, Inc.
Phone: 206-763-8361
Fax: 206-763-9615
Address: 8410 Dallas Ave S
Seattle, WA 98108
Website: www.ram-mount.com
Email: staff@ram-mount.com



Complete Vehicle Mount
RAM-VB-101-SW1



RAM-VB-101, SHOWN WITH
RAM-VB-SB4 RISER (INCLUDED)



Item Number _____

RAM-VB-101 & RAM-VB-101-SW1

RAM No-Drill™ Seat Bases

National Products, Inc.

Vehicle base for the**CHEVROLET S-10 4x4 only** (1995-2004)**CHEVROLET S-10 BLAZER** (1995-2001)**GMC JIMMY** (1995-2001)**GMC SONOMA** (1995-2004)**INSTALLATION INSTRUCTIONS**

1. Attach the RAM-VB-SB4 riser with 5/16" carriage bolts, flat washer, lock washers, and nuts.
2. Remove the two front seat bolts that connect the passenger seat to the floor. These may be under plastic caps.
3. Tilt the front of the passenger seat upward to clear the studs and slide the No-Drill™ base under the seat until the slots in the base line up with the seat bolt studs.
4. Lower the seat back down into position.
5. Install the two front seat nuts and fully tighten.

National Products, Inc.
Phone: 206-763-8361
Fax: 206-763-9615
Address: 8410 Dallas Ave S
Seattle, WA 98108
Website: www.ram-mount.com
Email: staff@ram-mount.com

