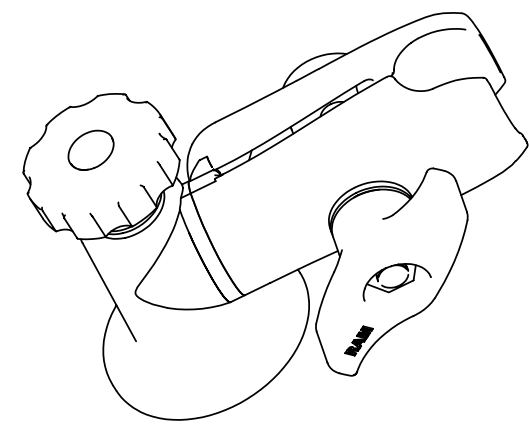
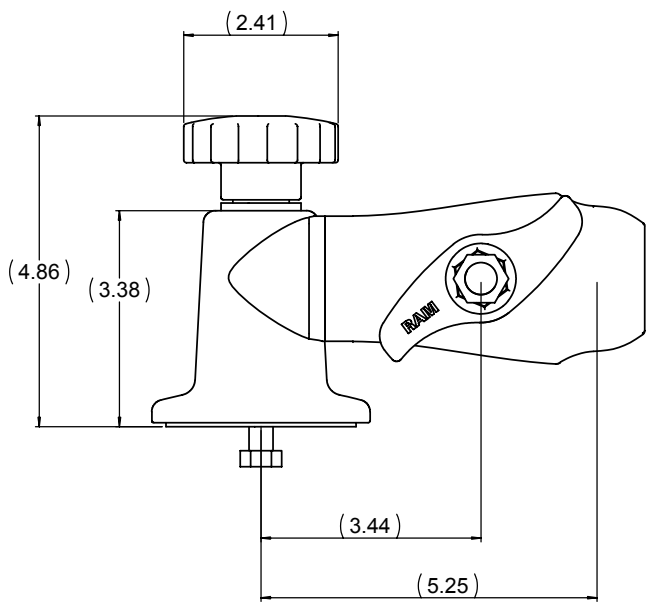
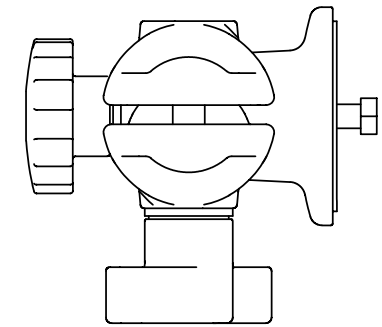
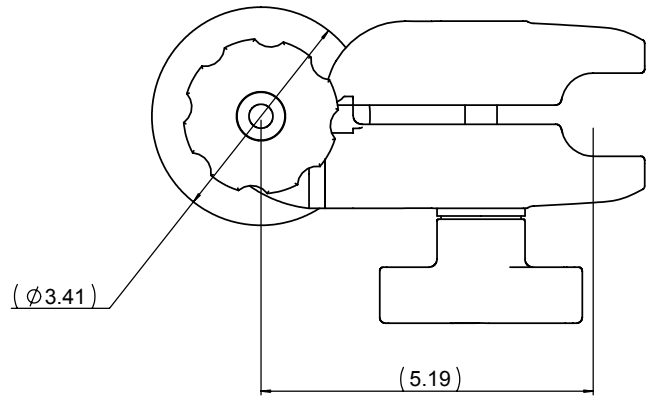


8 7 6 5 4 3 2 1

THE INFORMATION CONTAINED IN THIS DRAWING IS THE SOLE PROPERTY OF NATIONAL PRODUCTS INC. ANY REPRODUCTION IN PART OR WHOLE WITHOUT THE WRITTEN PERMISSION OF NATIONAL PRODUCTS INC. IS PROHIBITED.

REV.	DESCRIPTION	DATE	APPROVED



UNLESS OTHERWISE SPECIFIED DIMENSIONS ARE IN INCHES TOLERANCES ARE: FRACTIONS DECIMALS ANGLES ± 1/32 .XX±.06 ±.1 DEG. .XXX±.030	C-AD GENERATED DRAWING. DO NOT MANUALLY UPDATE		NATIONAL PRODUCTS INC.	
	APPROVALS	DATE	RAM SWIVEL BASE WITH SINGLE SOCKET ARM FOR 2 1/4" DIA. BALL	
MATERIAL	DRAWN	DATE	SIZE	REV.
ALUMINUM	JDC	06/17/01	C	1
FINISH	CHECKED	DATE	SCALE 1 TO 1	
BLACK POWDER COAT	CMR	06/17/01	CAD FILE: RAM162SA SHEET 1 OF 1	
DO NOT SCALE DRAWING	RESP ENG			
	MFG ENG			
	QUAL ENG			